

# Trine-Electric Strikes & Accessories

## 001 - Electric Strike

### APPLICATION

For use in new or replacement installations in wood and metal jambs. For use with locksets having up to 5/8" throw.\*

### FEATURES

- FACE PLATE – 1-1/4" X 5-7/8"
- DURABILITY – 500,000 Life cycles
- HOLDING FORCE – 1000 lbs.
- NON-HANDED

### Stocked Product

SATIN CHROME – US26D



VOLTAGE	CURRENT AMPS
24 VDC	.19

## 002 - Electric Strike

### APPLICATION

For use in new or replacement installations in wood and metal jambs. Auxiliary lever ramps for use with locksets which contain dead locking levers. Use with locksets having up to 5/8" throw.\*

### FEATURES

- FACE PLATE – 1-7/16" X 7-15/16"
- DURABILITY – 500,000 Life cycles
- HOLDING FORCE – 1000 lbs.
- NON-HANDED

### Stocked Product

DARK BRONZE – Powder Coated 26D



VOLTAGE	CURRENT AMPS	OHMS
24 VDC	.19	125.0

## 005 - Electric Strike

### APPLICATION

For use in replacement installations in wood jambs and iron gates. Use with bored cylindrical locksets having up to 5/8" throw.\*

### FEATURES

- FACE PLATE – 1-3/8" X 3-1/2"
- DURABILITY – 500,000 Life cycles
- HOLDING FORCE – 1000 lbs.
- NON-HANDED

### Stocked Product

BRASS - Powder Coated 26D



VOLTAGE	CURRENT AMPS	OHMS
24 VDC	.19	125.0

## S005 - Electric Strike

### APPLICATION

For use in replacement installations in wood jambs and iron gates. Use with bored cylindrical locksets having up to 3/4" throw.\*

### FEATURES

- FACE PLATE – 1-3/8" X 3-1/2"
- DURABILITY – 500,000 Life cycles
- HOLDING FORCE – 1000 lbs.
- NON-HANDED

### Stocked Product

Brass US4  
Satin Chrome US26D  
24 VAC  
24 VDC



VOLTAGE	CURRENT/AMPS
24 VAC	1.40
24 VDC	.19

1-877-930-1192

# Trine-Electric Strikes & Accessories

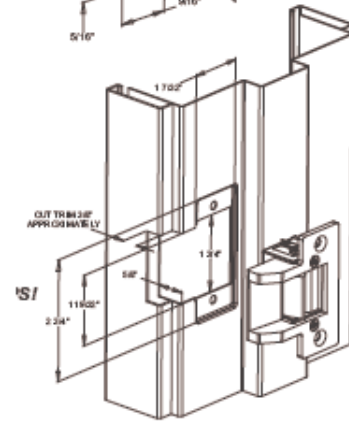
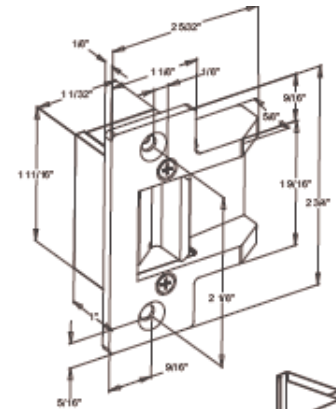
## 234X-375 Face Plate

Introducing the Axion 234X-375 Face Plate  
Extended ramp (.375") accommodates  
snap-on additional frame face of Timely  
and similar door frames

### Stocked Product

10B, 32D

**234X-375 Faceplate**  
(3012, 3024 or 30LC Mechanism  
must be purchased separately.)



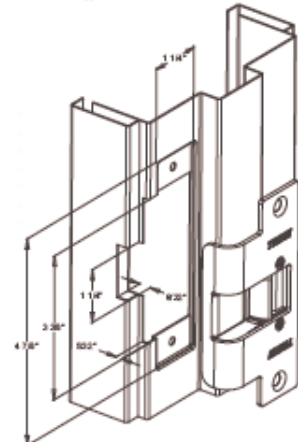
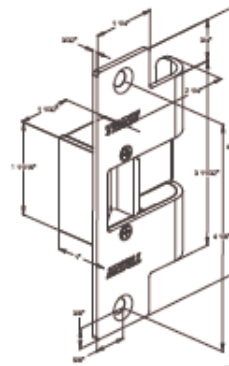
## 478X-375 Face Plate

Introducing the Axion 478X-375 Face Plate  
Extended ramp (.375") accommodates  
snap-on additional frame face of Timely  
and similar door frames

### Stocked Product

10B, 32D

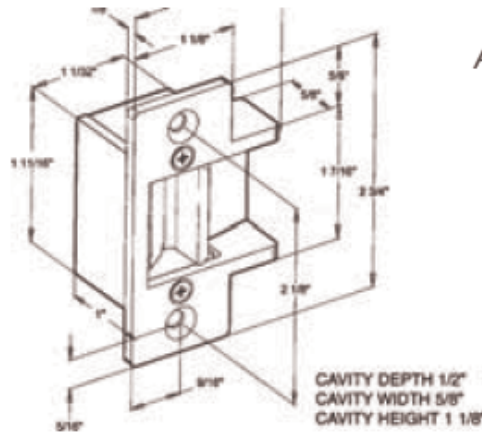
**478X-375 Faceplate**  
(3012, 3024 or 30LC Mechanism  
must be purchased separately.)



1-877-930-1192

# Trine-Electric Strikes & Accessories

## 3234 - Compact Electric Strike



### Application:

For use in new or replacement installation in metal frames. Use with cylindrical locksets having up to 5/8" throw, base on 1/8" door gap

### Specifications:

- Face plate 2-3/4" x 1-1/4"
- Mortise Backset 1"
- Cavity depth 1/2"
- Cavity height 1-1/8"
- Cavity Width 5/8"
- ANSI 2-3/4" standard
- Designed for Timely applications
- 1" backset allows for installation without removal of most dust boxes
- Standard operating voltages 12VDC & 24VDC models intermittent only
- Holding Force 1200 lbs.
- Fail Secure
- All Stainless Steel Mechanism

### Options

LC : "All in One Voltage" model with range of 12V thru 24V AC & DC, Intermittent or Continuous duty  
W: For Wood Frame Application

### Stocked Product:

Standard: 10B,26D  
LC Option: US3, 10B, 26D  
W Option: US3, 26D

## SRP - Push Button Polished Brass with Black Center

2-1/4" Body Diameter



### Stocked Product:

Finish: Brass

1-877-930-1192

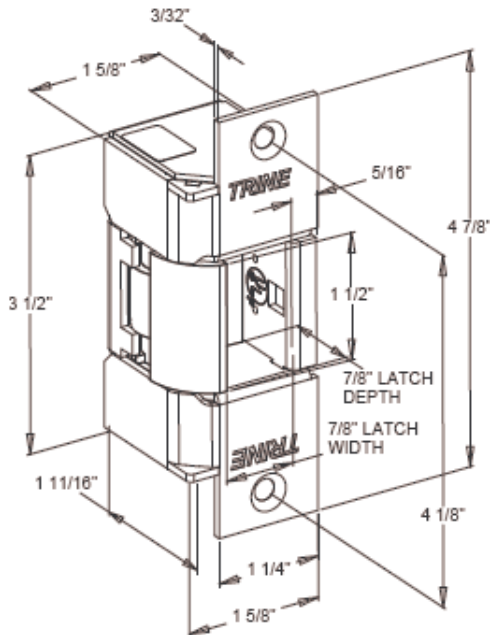
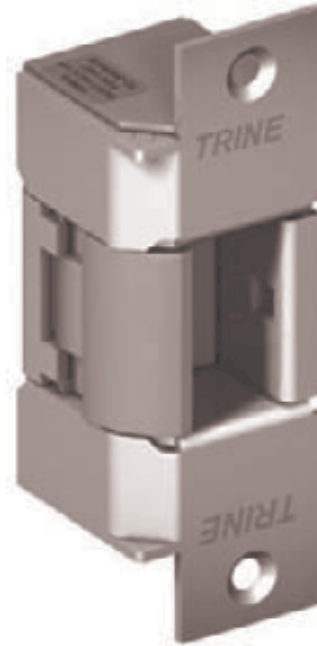
# Trine-Electric Strikes & Accessories

## 400 - Electric Strike

For use in new or replacement installation in wood or metal jobs. Use with mortise exit devices, mortise locks without dead bolts and cylindrical locksets having up to 1" throw

### Features

- Face plate 1-1/4" X 4-7/8"
- Fail Secure/Fail Safe field reversible on DC units
- All Stainless steel construction
- 1,000,000 life cycle
- Holding Force 2,000 lbs
- Field Adjustable left or right handing in minutes
- UL Listed
- 24VDC
- Handed



**Stocked Product**

400-24VDC: 10B,32D

**1-877-930-1192**

# Trine-Electric Strikes & Accessories

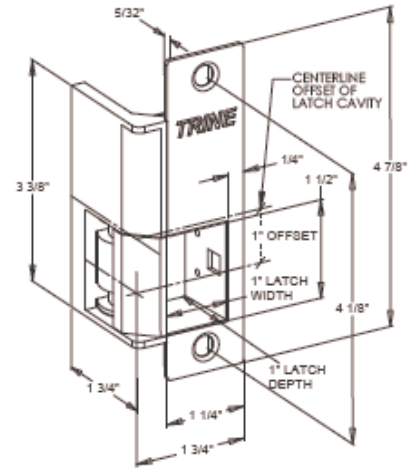
## 430 - Electric Strike

For use in new or replacement installation in metal jambs. Designed to be used with mortise locks with up to 1" throw without the need of relocating center line

- offset application

### Features

- Face Plate 1-1/4" X 4-7/8"
- All Stainless steel construction
- 1,000,000 life cycle
- Holding Force 2,000 lbs
- Cavity Centerline offset 1"
- Handed specify LH or RH
- Mortise type- backset 1-3/4"
- UL Listed
- 24VDC



### Compatible Locksets for 430

Accurate	8500 series
NT Monarch	18-M,XX-M 17-M
Sargent:	7700,8100 series
Schlage	L9000 series
Yale:	8700 series

### Stocked Product

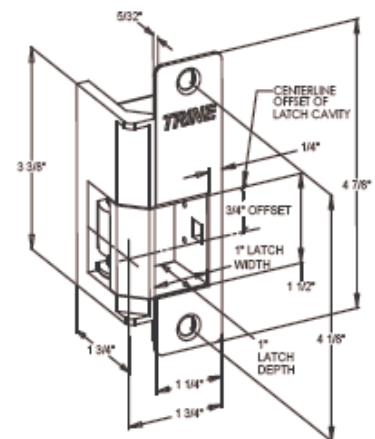
430-24VDC: 10B, 32D

## 435 - Electric Strike

For use in new or replacement installation in metal jambs. Designed to be used with mortise locks with up to 1" throw without the need of relocating the center line

### Features

- Face Plate 1-1/4" X 4-7/8"
- All Stainless steel construction
- 1,000,000 life cycle
- Holding Force 2,000 lbs
- Cavity Centerline offset 1"
- Handed specify LH or RH
- Mortise type- backset 1-3/4"
- UL Listed
- 24VDC



### Compatible Locksets for 435

Accurate	9000,9100
Arrow	A series
Best	34H,37H
Corbin	ML2200
Falcon	M series
Marks	5036
PDQ	ML series
Sargent	7800-8200

### Stocked Product

435-24VDC: 10B,32D

1-877-930-1192

# Trine-Electric Strikes & Accessories

## 4800 - Electric Strike

For use with rim exit device; no cutting required, Frame cutting is eliminated-the strike is completely surface mounted.

### Features

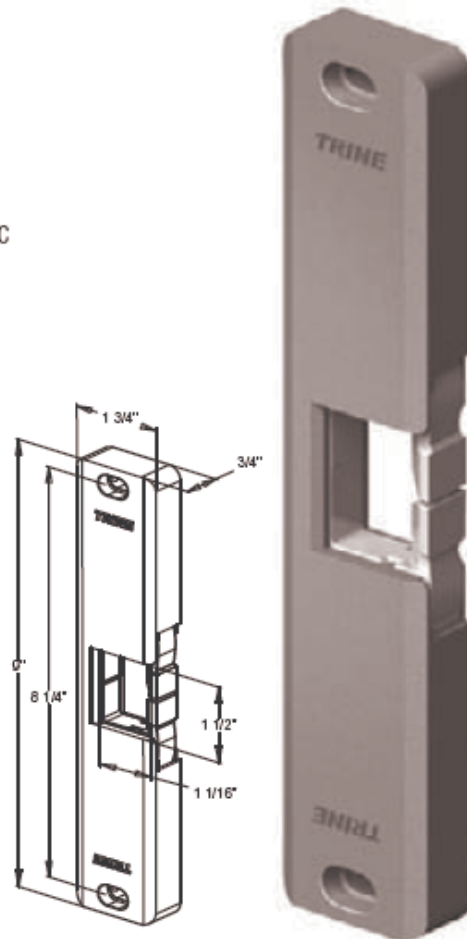
- Built-in electronics, with surge and kick back protection, allows 12-24AC DC operation with no external accessory
- Holding Force 3,000 lbs
- 1,500,000 life cycle
- Field adjustable for fail secure or fail safe operation
- 1-3/4" wide X 3/4" depth X 9" height
- Surface Mounting requires drilling three (3) holes
- Stainless Steel Construction
- Steel Spacer 1/8" thick supplied for installations that require mounting the strike closer to the exit device

### LC Electrical Draw Chart for all LC option strikes

.57 Amp @ 12VDC  
.25 Amp @ 24VDC  
.51 Amp @ 12VAC  
.21 Amp @ 24VAC

### Stocked Product

4800: 32D



## 5201, 5204, 5208 & 5209 - Transformers



CATALOG NUMBER	DESCRIPTION
5201	Plug-in Type 24V-20VA
5204	Plug-in Type 24V-20VA
5208	DC Plug-in Type 12VDC, 1.0 AMP
5209	DC Plug-in Type 24VDC, 0.5 AMP

1-877-930-1192