

# KABA Access Control

## L1000 - Series Lever

### Application:

- The L1000 series provides full mechanical push button access with no electrical wiring, electronics or batteries. Exterior access is by combination.
- Interior egress is free at all times. The lock meets ADA standards

### Specifications

- ANSI A156.2 grade 1
- ASA strike
- Backset 2-3/4"
- Door thickness 1-3/8" - 1-3/4"
- Installation ASA 161 door prep. with additional through bore holes required
- Handed not field reversible

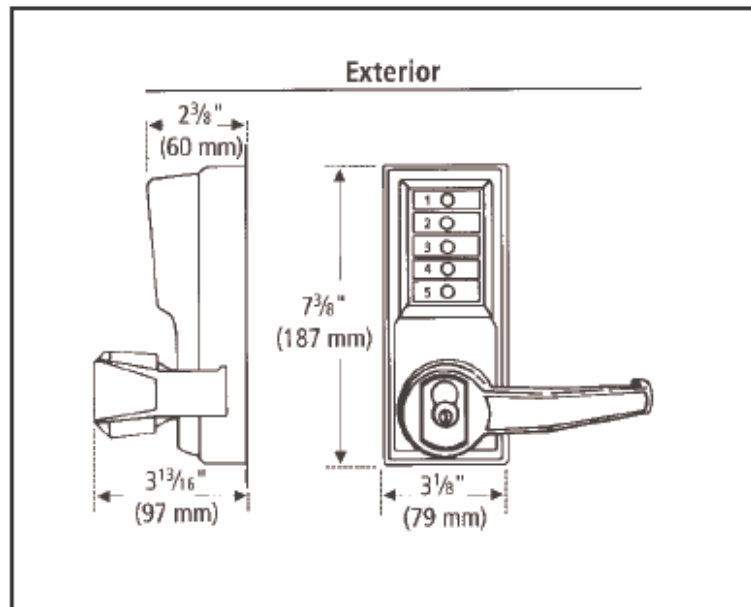
### Optional Features:

- Key override - can be used to over ride combination and gain access using a key - **supplied less cylinder**
- Key override is prepped for I.C. cylinders only



### Stocked Product

PART No.	DESCRIPTION	FINISH
L1011	Lever only	26D
L1021B	Lever with Best Override Less Core	26D
L1021C	Lever with Corbin Override Less Core	26D
L1021S	Lever with Schlage Override Less Core	26D



1-877-930-1192

# KABA Access Control

## LP1000 - Series Lever

### Operation:

- Designed to operate surface mounted exit devices from the outside. Exit device not supplied. Exterior access is by combination. Egress is by interior exit device and is free at all times

### Specifications

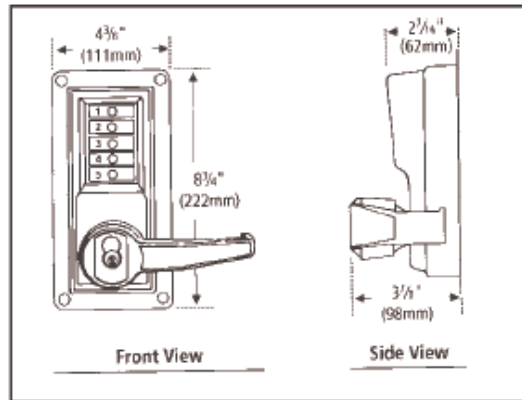
- ANSI A156.2 grade 1
- Strike not supplied
- Door thickness up to 2-1/4"
- Handed not field reversible
- Exit device compatibility, Von Duprin EO or EO-F for 22, 88, 98, 99, 9927, Detex Advantex 10, 20, 40 series

### Optional Features:

- Key override - can be used to override combination and gain access using a key - **supplied less cylinder**
- Key override is prepped for I.C. cylinders only

### Stocked Product

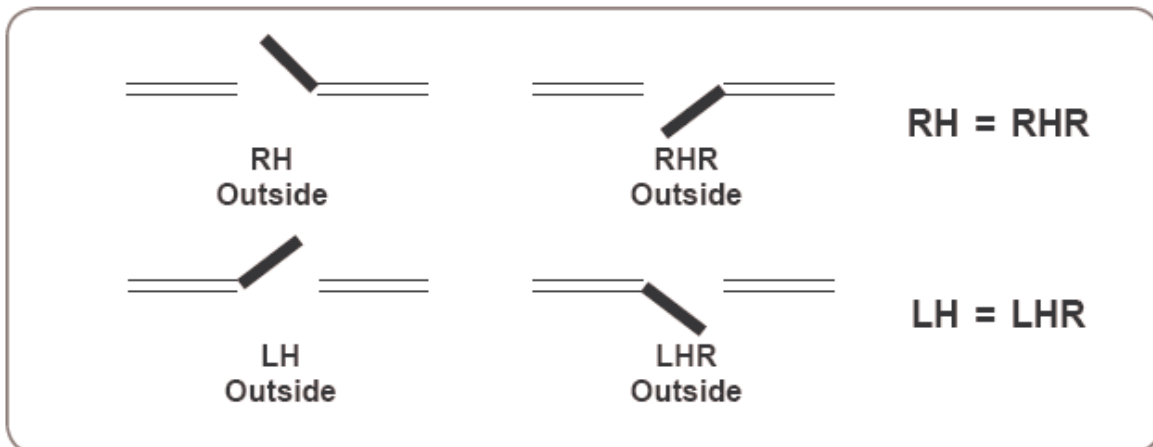
PART No.	DESCRIPTION.....	FINISH
LP1020B	Lever with Best IC Override Less Core ....	26D
LP1020S	Lever with Schlage IC Override Less Core ..	26D



### L1000 & LP1000 Series Door Handing:

You must specify the handing of your door! Look at the door in its closed position standing on the outside (exterior push button side)

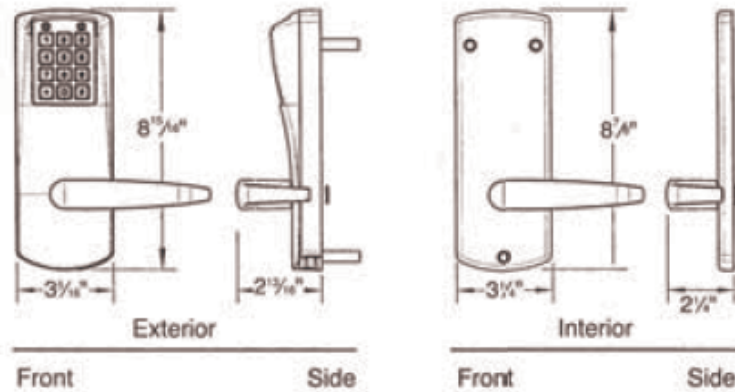
Note: LP1000 are either LHR or RHR



**1-877-930-1192**

# KABA Access Control

## E2031 - Series Cylindrical electronic pushbutton Lock



### Features

- Cylindrical latch with UL10C Fire Rating
- 100 access codes per door, over 100 million possible code combinations
- Locks are easily programmed via keypad
- Non-handed
- Service codes programs for one time access or "come and go" access for 1 to 24 hours
- Code length is adjustable to accept 4 to 8 digits
- Anti-tamper lockout is adjustable from 3 to 9 invalid attempts with an adjustable period of 0 to 90 seconds
- Re-Lock time is adjustable from 2 to 20 seconds
- Batteries located in exterior housing. AAA provides more than 100,000 cycles.
- No wiring to or through the door- no risk of pinched wires
- Backset 2-3/4"; Special order 2-3/8"
- Door Thickness: 1-3/8" to 2-1/2"
- Warranty: 2 year from installation
- With Schlage C keyway override or I/C Best Format

### **Stocked Product**

E2031XS Schlage C: 26D  
US26D only also available in US4 special order  
E2031BS Schlage IC less Core: 26D

**1-877-930-1192**

# KABA Access Control

## 5000 - Series Simplex

### Features

- Keyless convenience
- Combination can be quickly changed
- Easy to install on wood or metal doors
- 3 year warranty
- Non handed, one lock for both right and left hand door applications
- Easy to maintain - no batteries
- Mechanical key override available in:
  - Schlage C keyway
  - Best I.C. less core
  - Schlage RC less core

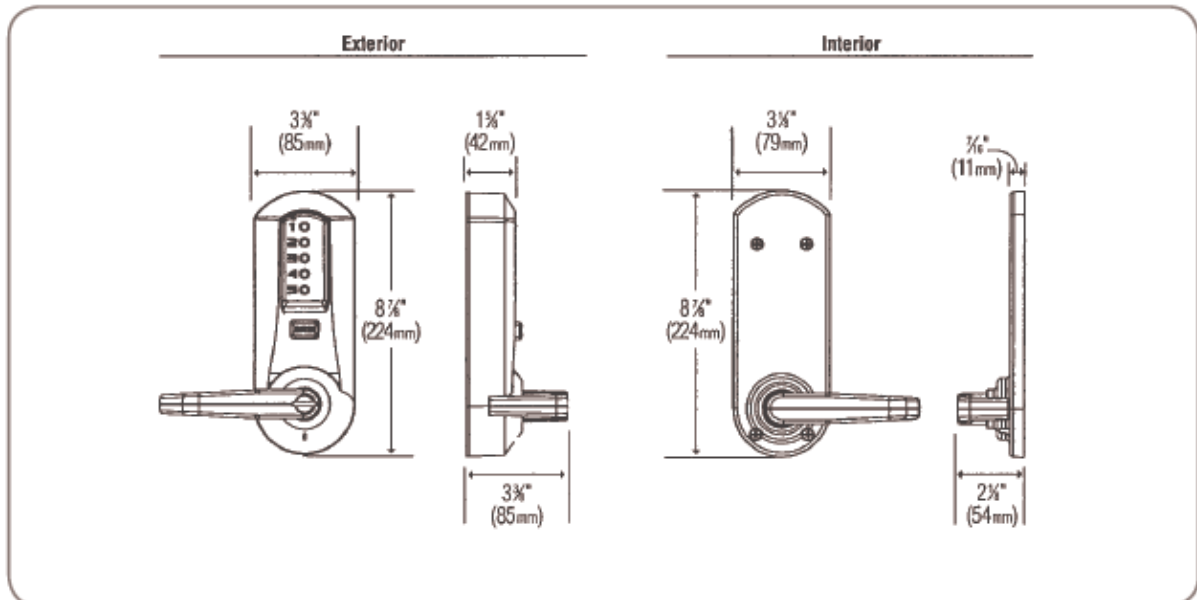
### Specifications

- Certified - ANSI / BHMA A156.2 Grade 1
- Compliance - 3 hour UL / ULC fire door rating
- ASA strike
- Backset 2-3/4"
- Door thickness 1-3/8" - 2-1/4"
- Installation ASA 161 with two additional bore holes

### Stocked Product

PART No.	DESCRIPTION.....	FINISH
5021XS	Lever with Schlage C Keyway Override ...	26D
5021B	Lever with Best Prep Override .....	26D
5021S	Lever with Schlage RC prep Less Core ...	26D

## Simplex 5000



1-877-930-1192