

# Don-jo

## Wall Bumpers

**1400**  
1" Diameter  
With Anchor Screw - Cast Brass



**Stocked Product**

1400 - 613, 626  
1406/1407 - 605, 613, 619, 625, 626

**1406**  
2 1/2" Diameter



Plastic Anchor & Plastic Dry Wall Anchor  
Wrought Material

**1407**  
2 1/2" Diameter



**1440**  
Low Style  
1/8" H x 1 5/8"  
Diameter Base

W/S & MS & Exp Shield & Plastic Anchor



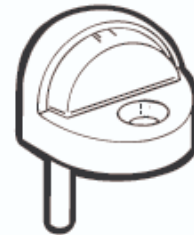
**Stocked Product**

1440 - 605, 613, 619, 625, 626  
1442 - 605, 613, 619, 625, 626

## Floor Stops

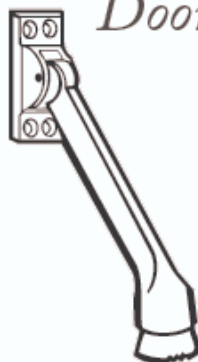
**1442**  
High Style  
3/8" H x 1 5/8"  
Diameter Base

W/S & MS & Exp Shield & Plastic Anchor



## Door Holder

**1467**  
3" Projection  
Solid Brass Material  
SMS Fastener



**Stocked Product**

1467 - 605, 613, 626

**1-877-930-1192**

# Don-jo

## *Push & Pull Plates, Pull Handles*

### *35 Door Pull*

5 1/2" CTC

6 5/8" x 1 3/4" x 1 5/16"

• Dimensions - Overall x Projection x Clearance



#### **Stocked Product**

35 - 605, 613, 630

70 - 605, 613, 626, 630

71 - 605, 613, 626, 629, 630

7015 - 605, 613, 626, 630

7115 - 605, 613, 626, 629, 630

### *70,71 Push Plate*

70 - 3 1/2" x 15"

71 - 4" x 16"

Beveled edges, adhesive mounting,

Rounded corners



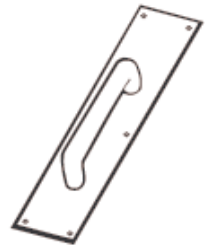
### *7015, 7115 Pull Plate*

7015 - 3 1/2" x 15"

7115 - 4" x 16"

6" CTC

3/4" diameter pull



## *Door Silencers*



*1608*

For Metal frame

Gray Rubber



*1609*

For Wood frame

Gray Rubber

## *Strikes*

*9234*

2 3/4" x 1 1/8"



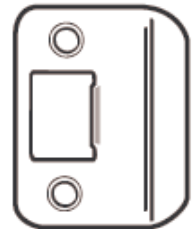
*ST161*

4 7/8" x 1 1/4"



*ST214*

2 1/4" x 1 1/4"



#### **Stocked Product**

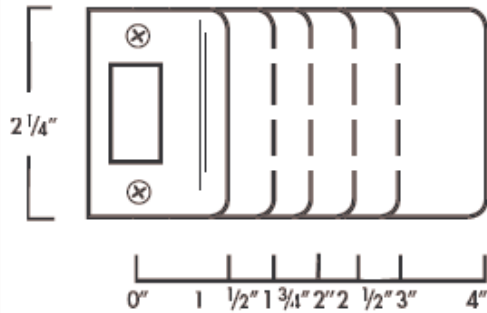
9234 - 605, 630

ST161 - 605, 606, 613, 625, 626

ST214 - 605, 630

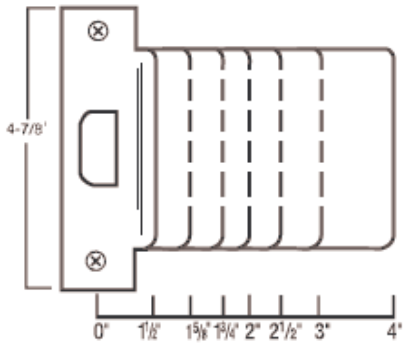
**1-877-930-1192**

# Don-jo



## 2-1/4" Extended Lip Strike

Number	Dimension
EL102	2-1/4" X 2"
EL115	2-1/4" X 1-1/2"
EL125	2-1/4" X 2-1/2"
EL175	2-1/4" X 1-3/4"



## 4-7/8" Extended Lip ANSI Strike

Number	Dimension
EST102	4-7/8" X 2"
EST115	4-7/8" X 1-1/2"
EST125	4-7/8" X 2-1/2"
EST158	4-7/8" X 1-5/8"
EST175	4-7/8" X 1-3/4"

### Stocked Product

#### 2-1/4" Extended Lip Strike

EL102 - DU, 605, 619, 630  
 EL115 - DU, 605, 619, 630  
 EL125 - DU, 630  
 EL175 - DU, 605, 619, 630

#### 4-7/8" Extended Lip ANSI Strike

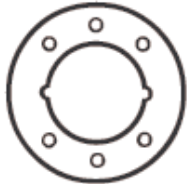
EST102 - 630  
 EST115 - 630  
 EST125 - 630  
 EST158 - 630  
 EST175 - 630  
 EST102 - 605, 630  
 EST115 - 605, 630  
 EST175 - 605, 630

**1-877-930-1192**

# Don-jo

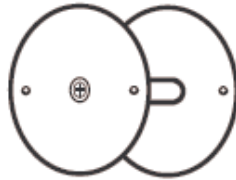
## AR335

Use with levers on 1 3/8" door  
(2 per pack)  
3-1/2" Diameter  
Finish - 630



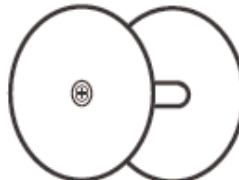
## BF161

Covers up to 2 1/8" Hole  
2-5/8" Diameter  
Finish - Silver Coated



## BF178

Covers up to 1 1/2" Hole  
1-7/8" Diameter  
Finish - Silver Coated



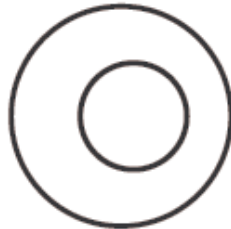
## CV86

Converts 86  
Cut out to 161  
8" x 1-1/4"  
Finish - Prime Coated



## DSP135

Scar Plate  
Fits under Deadbolt  
Collars 3-1/2" OD, 1-1/2" ID  
Finish 630



## EF86

86 cut out  
8" x 1 1/4" x 3/16"  
Finish - Prime Coated



## EF161 EF161S

2-1/4" x 1-1/8"  
2-3/4" x 1-1/8"  
Cut out  
Finish - Prime Coated



## FF45

Frame hinge cut out  
4-1/2" x 1-5/8"  
Finish - Prime Coated



## FS260PC

ANST strike cut out  
Finish - Prime Coated  
4-7/8" X 1-1/4"



## HF45

Door hinge cut out  
4-1/2" x 1-3/4"  
Finish - Prime Coated

## SHF45

4-1/2" x 1-1/2"  
Finish - Prime Coated



## HS060

16 (.060) Gauge Hinge shime  
**HS090**  
13 (.090) Gauge Hinge shime  
Finish - Prime Coated



## SP135

Scar Plate  
Fits under Rose or  
Key in knob or Deadbolt  
3-1/2" OD, 2-1/8" ID  
Finish 630



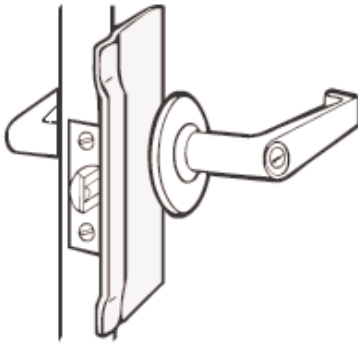
1-877-930-1192

# Don-jo

## Lock Guard Plates

### *BLP107/BLP207*

For Key-In-Lever Locks with up to  
3-3/4" Escutcheon width

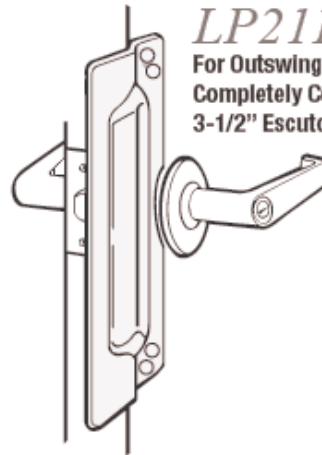


#### **Stocked Product**

BLP107 630  
BLP207 Silver Coated

### *LP111 LP211*

For Outswinging Doors  
Completely Covers Strike Pate  
3-1/2" Escutcheon width

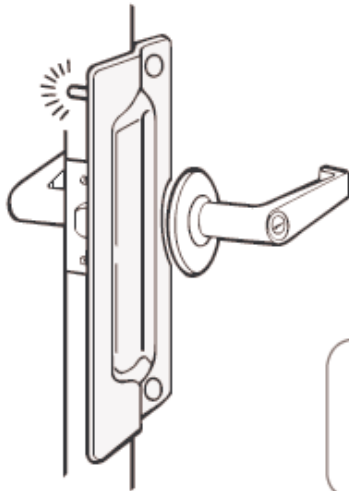


#### **Stocked Product**

LP111 630  
LP211 Silver Coated

### *PLP111/PLP211*

Latch Protector For Outswinging Doors (no pin)  
3-1/2" Escutcheon width



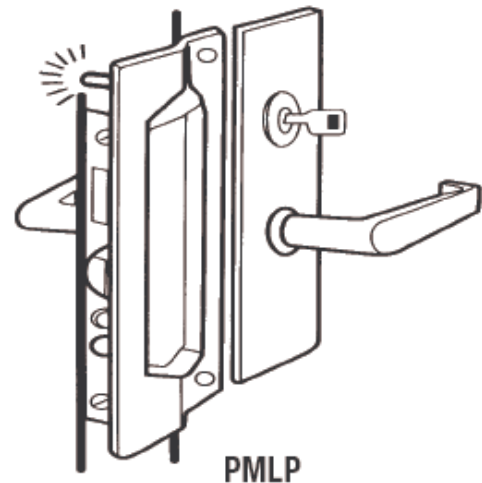
PLP

#### **Stocked Product**

PLP111 630  
PLP211 626  
PMLP111 630

### *PMLP111*

Pin Latch Protector For Outswinging Doors  
3-1/2" Escutcheon width



PMLP

1-877-930-1192

# Don-jo

Braille Translation on all Plastic Signs

## Title 24 Signs



CHS-1



CHS-2



CHS-3



HS-9070-46



HS-9070-48



HS-9070-47

Sign Size 1 3/4" x 6"

Raised White Lettering

## ADA Signs



HS-9070-35



HS-9070-01



HS-9070-05



HS-9070-32

## Decal



HD-1  
4" x 4"

White on Blue

**THIS DOOR TO REMAIN UNLOCKED DURING BUSINESS HOURS**

DD-1/DD-2

**THESE DOORS TO REMAIN UNLOCKED DURING BUSINESS HOURS**

DD-3/DD-4

1 1/2" x 24"

DD1 Black on Clear

DD2 White on Black

DD3 Black on Clear

DD4 White on Black

**THIS DOOR TO REMAIN UNLOCKED WHILE BUILDING IS OCCUPIED**

DD-5/DD-6

**THESE DOORS TO REMAIN UNLOCKED WHILE BUILDING IS OCCUPIED**

DD-7/DD-8

1 1/2" x 24"

DD5 Black on Clear

DD6 White on Black

DD7 Black on Clear

DD8 White on Black

**1-877-930-1192**

# Don-jo

## #K0050

ANSI J102 Metal

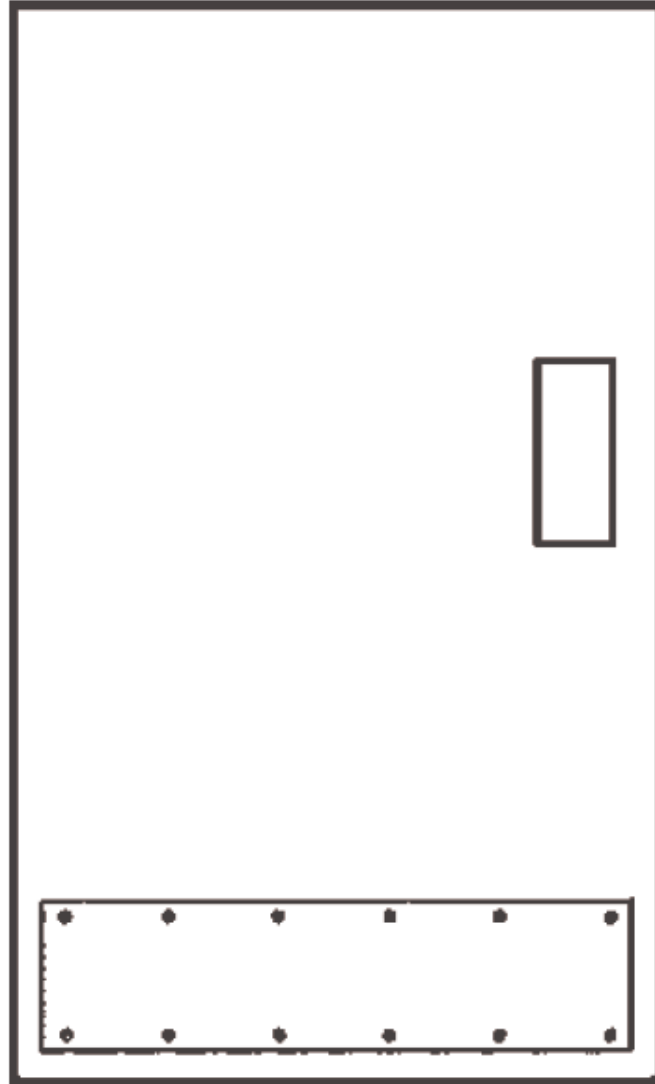
Used on doors subject to marring  
or damage from foot traffic.

### COMMERCIAL KICK PLATES

- Individually packaged with screws
- Fully threaded to the head stainless steel sheet metal screws plated to finish
- Beveled
- Commercial grade thickness
- Kick plate screws only \$0.40 list each  
Specify 9DJOKPS + FINISH

### Stocked Product

P/N	Size	Finishes
K0050	6"x34"	630
K0050	8"x34"	605, 613, 630
K0050	10"x32"	630
K0050	10"x34"	605, 613, 628, 630
K0050	10"x40"	605, 613, 630
K0050	10"x46"	630
K0050	12"x34"	630



1-877-930-1192

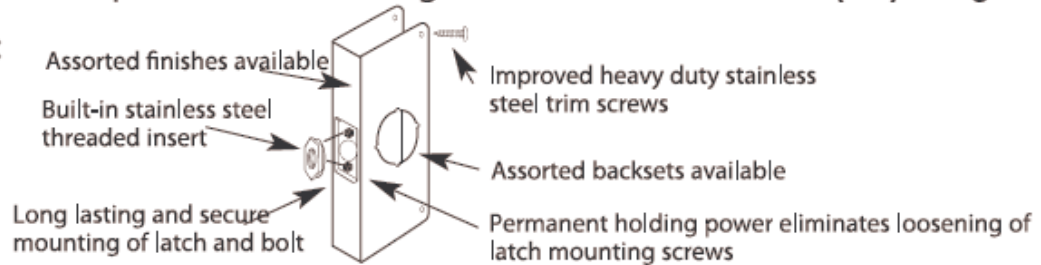
# Don-jo

## Wrap Around

The Classic Wrap-Around advantage

22(.32) Gauge

includes:



### Stocked Product

For deadbolts 1 1/2" hole, 1 3/4" thick Door  
Model #8 4 1/4" x 4 1/2" For 2 3/4" BS

Finishes: Polished Brass (PB), Stainless Steel (S)



For Cylindrical Locks 2 1/8" hole, 1 3/4" thick Door

Model #61 4" x 4 1/2" For 2 3/8" BS  
Model #81 4 1/4" x 4 1/2" For 2 3/4" BS

Finishes: Polished Brass (PB), Stainless Steel (S)

Finishes: Polished Brass (PB), Stainless Steel (S)



For Cylindrical Locks 2 1/8" hole, 1 3/4" thick Door, Heavy Duty Grade 1

Model #81-2 4 3/4" x 4 1/2" For 2 3/4" BS

Finishes: Polished Brass (PB), Stainless Steel (S)



For Mortise Lock 86 cut out, 1 3/4" thick Door

Model #504 5" x 12"

Finishes: Polished Brass (PB), Stainless Steel (S)

#### Note:

- Drill spindle and thumb turn holes in field
- 8" x 1/4" Recess

1-877-930-1192