

Builder Lock - Residential Tubular Locksets

Handleset, Deadbolt, Knob and Lever set

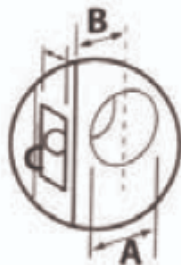
- Certification** Meets ANSI A156.5 Grade 3
- Keying** 5 pin Kwikset keyway, CK drilled with two brass keys
- Door thickness** .. 1-3/8" - 1-3/4" standard
- Backset** Adjustable 2-3/8" - 2-3/4" backset
- Package** Box pack only
- Strikes** Full lip radius and full lip square corner included

Functions lever & knob sets

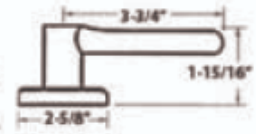
- 214 Lever/400 Knob**... Keyed entry locked or unlocked by key outside or turn button inside
- 213 Lever/300 Knob**... Privacy locked or unlocked by turn button inside
- 212 Lever/200 Knob**... Passage both inside and outside turn freely
- 211 Lever/100 Knob**... Dummy no operation
- 7100** Exterior handleset trim entry function
- 7900 series** Interior trim kits entry function
- DB101** Single cylinder deadbolt

Door Preparation / Sizes

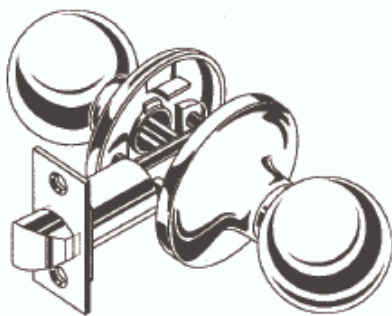
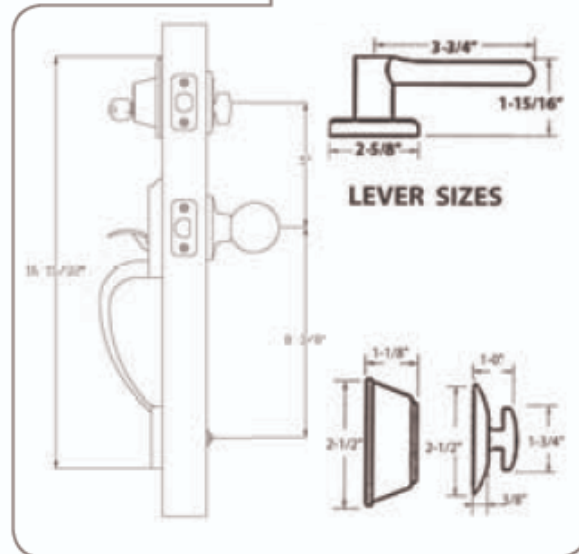
- A** Crossbore 2-1/8"
- B** Backset 2-3/8" or 2-3/4"
- C** Edgebore 1"
- Latchface 1" x 2-1/4"



KNOB SIZES



LEVER SIZES

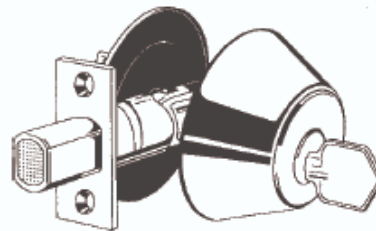


Tahoe (compare Polo)

Stocked Product

- Finish: US3

- 400TH Entry
- 300TH Privacy
- 200TH Passage
- 100TH Dummy



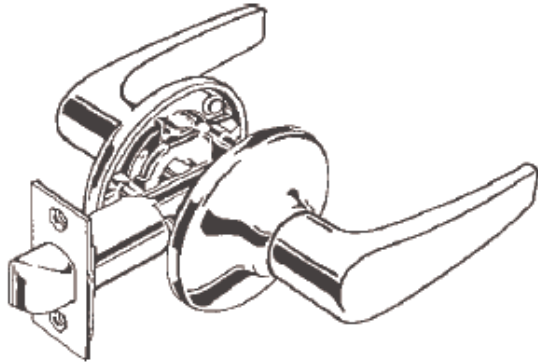
DB101 Single cylinder deadbolt

Stocked Product

- Finishes: US3, US10B, US15, US26, US26D

1-877-930-1192

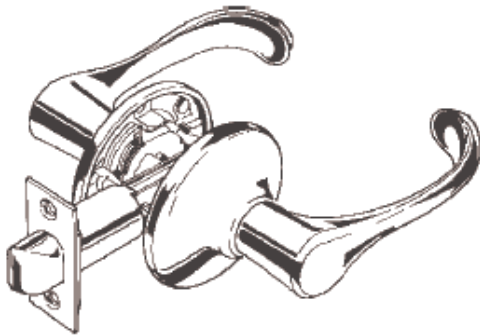
Builder Lock - Residential Tubular Locksets



Chesapeake (compare Delta)

Stocked Product

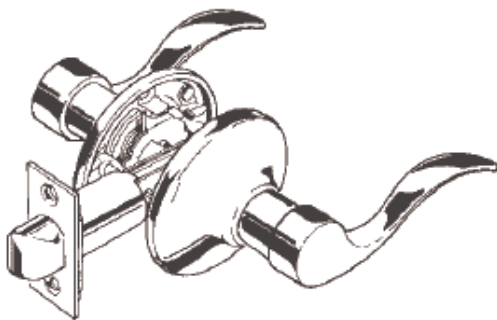
- Finishes: US3, US26D



Mystic (compare Dorian)

Stocked Product

- Finishes: US3, US10B, US15, US26, US26D



Sedona (compare Sexton), Specify RH or LH

Stocked Product

- Finishes: US3, US15, US26, US26D

- 214 Entry
- 213 Privacy
- 212 Passage
- 211 Dummy



7100SH Outside, Trim

Shenandoah

Stocked Product

- Inside Trim Stocked:

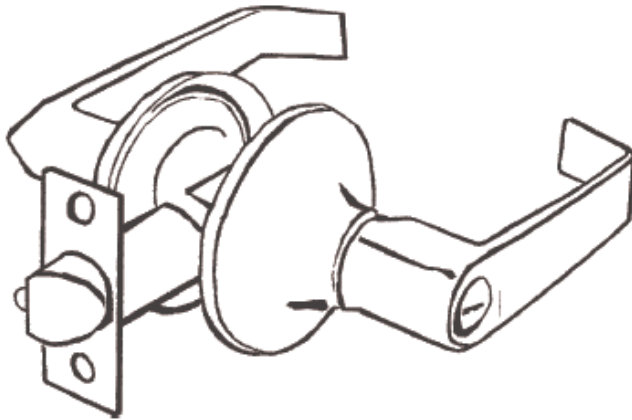
7902 Tahoe US3

7905 Mystic US3, US15, US26D

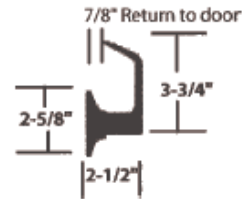
1-877-930-1192

Builder Lock - Residential Tubular Locksets

Grade 3 - Light Commercial Tubular Lever Lock

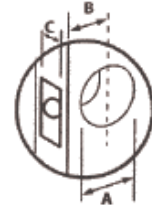


Avon Design



DOOR PREPARATION

- A. Crossbore 2-1/8"
- B. Backset 2-3/8" or 2-3/4"
- C. Edgebore 1"
- Latchface 1" x 2-1/4"



514AC Keyed Entry
locked / unlocked by
key outside or turn
button inside



513AC Privacy
locked / unlocked by
turn button inside



512AC Passage
both levers free



511AC Dummy
no operation

- Certification Meets ANSI A156.3 Grade 3
- Keying 5 pin cylinder, construction key drilled, Schlage "C" keyway
- Code Meets A117.1 ADA Barren free accessible
- Door thickness 1-3/8" - 1-3/4"
- Latches 1/2 throw, adjustable 2-3/8" and 2-3/4" backset.
Radius and square faceplates included
- Strike 1-5/8" x 2-1/4" Radius and square full lip strike included

Stocked Product

- Finish: US26D

1-877-930-1192