

Bommer - Hinges & Pivots

3029 ANSI K81041 Double Action Spring Hinge

Features:

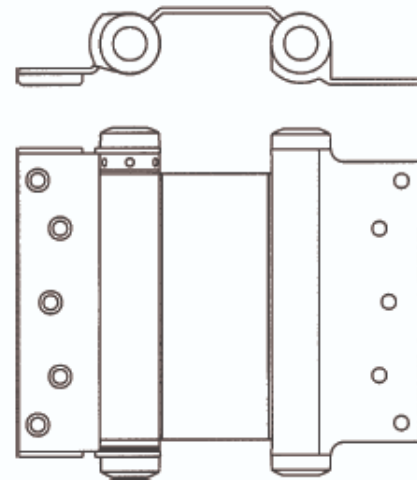
- Door flange is mortise into edge of door
- Jamb flange is surface applied to jamb
- Mortised
- Steel material
- Non templated
- Non handed
- All wood screws
- Do not use on doors with hinge edge beveled

Stocked Product

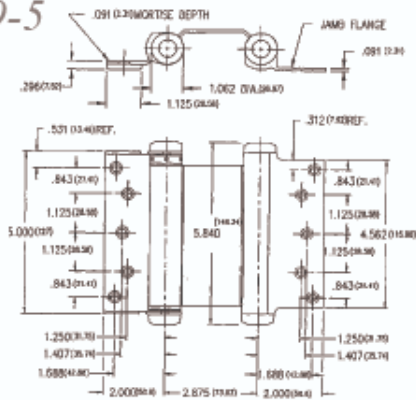
Sizes:	Door Thicknesses:	
3029 - 5"	16 per case	1 1/8" - 1 1/2"
3029 - 6"	12 per case	1 1/4" - 1 3/4"
3029 - 8"	6 per case	1 1/2" - 2"
3029 - 6" x 4.5" ..	12 per case	1 3/4" only

Finishes:

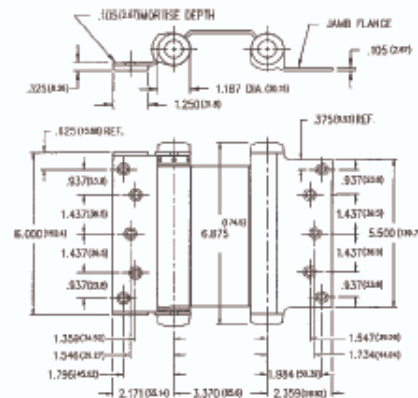
US15 (646), US26D (652), US4 (633), USP (600)



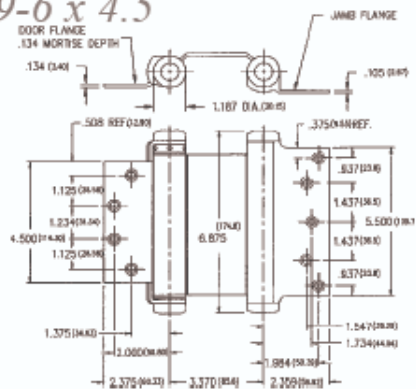
3029-5



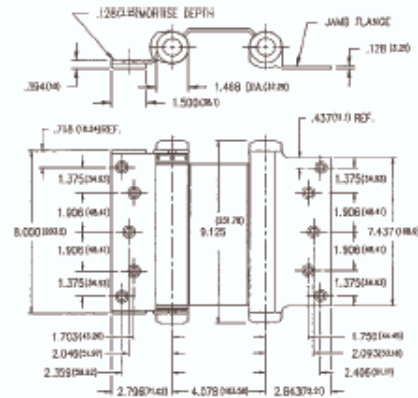
3029-6



3029-6 x 4.5



3029-8



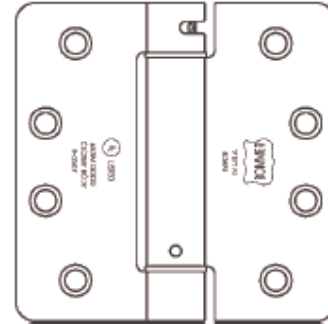
1-877-930-1192

Bommer - Hinges & Pivots

LB4311 Single Acting Grade 1 Spring Hinge

Features:

- LB for lube bearing
- UL listed Grade 1, BHMA certified for 1 million cycle
- Meets ANSI A156.17
- UL rated for openings up to 3 hour A label
- 4" size .096 gauge
- Non handed - steel material
- Easily adjustable spring tension
- Templated screw hole pattern
- Pivot point aligns with residential Butt hinges from .085 to .109 gauge



LB4311 1/4" RADIUS

		WOOD SCREWS			MACHINE	CASE
LB4311	4"	packed 8 ea	#12 x 1-1/4"	8 ea	#12-24 x 1/2"	40

Stocked Product

Finishes:

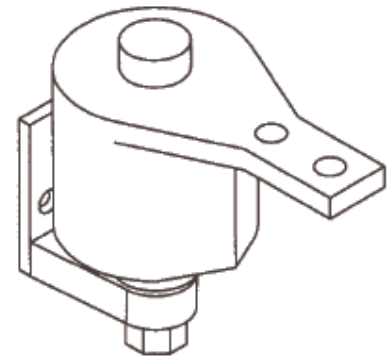
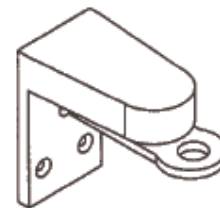
US10B (640), US15 (646), US26D (652), US3 (632), US4 (633)

7112 Surface Pivot

Features:

- ANSI K63201
- Double acting, ball bearing
- Adjustable Spring Tension
- 75 pound max load
- Cast steel base
- Non handed
- 8 pivots per case

Includes:	QTY	Description
	1	Pivot
	1	Jamb & door bracket
	1	7890 top pivot assembly with bracket
	8	#12 x 1-1/4" flat head wood screws
	2	#10 x 1" flat head wood screws



Stocked Product

Finishes:

US26D (652) and USP (600)

1-877-930-1192

Bommer - Hinges & Pivots

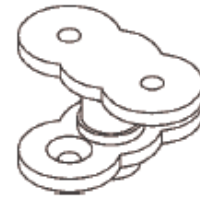
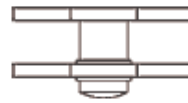
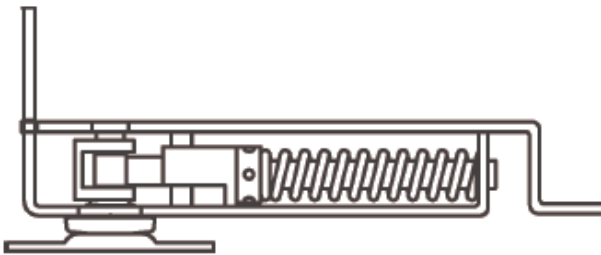
7811 & 7813HD Spring Pivots Horizontal Type

Features:

- Floor plate
- Ball bearing
- Door thickness 1-3/8" to 1-3/4"
- Steel mechanism with steel trim
- Adjustable spring tension
- Packed with wood screws 8 per case
- Double acting
- Hold open at 85° to 90° - 7811 model only
- Non handed
- Includes 7890 top pivot

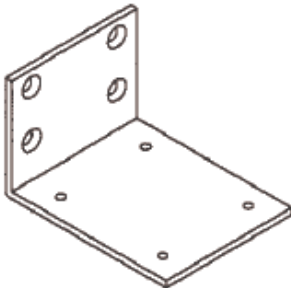
7811 Maximum door weight 90 lbs; 3' door width hold open

7813HD Maximum door weight 150 lbs; 3' door width non hold open



7890 TOP PIVOT INCLUDED IN PRICE

Optional Extra 7805 Jamb Bracket



Stocked Product

Finishes:

US10B (640), US15 (646),
US26 (651), US26D (652), US3 (632),

1-877-930-1192