

# Adams Rite

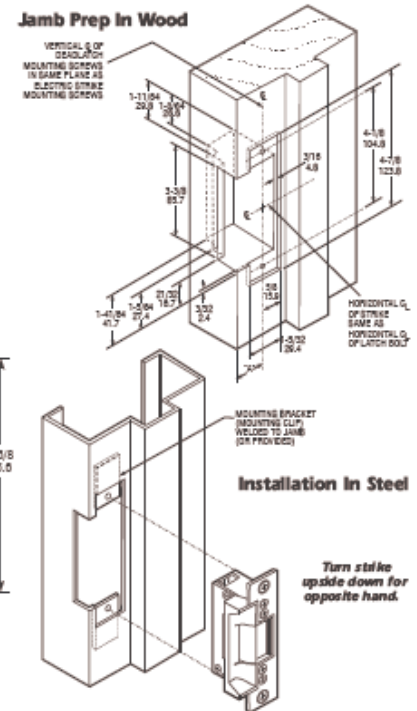
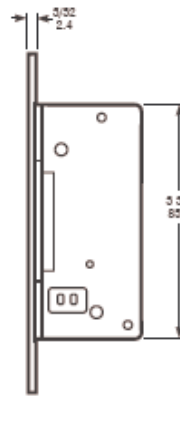
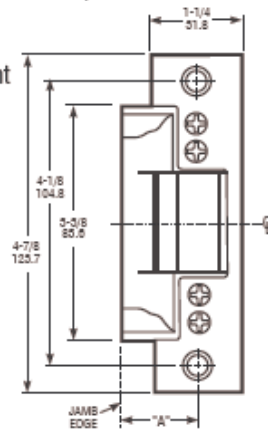
## 7140 - Series

### FEATURES

- For use with key-in lever latches
- **Lip Extension:** 1.06" from door line to jamb edge
- Faceplate measure 1-1/4" x 4-7/8"
- ANSI/BHMA E09321 Grade 1
- **Strike Opening:** 5/8" x 1-7/16" x 1/2" deep bolt retainer jaw is made of stainless steel.
- **Case:** Approximately 1" x 3-3/8" x 1-5/8" deep
- Fail secure operation
- **Voltage:** 24 VAC / 24 DC continuous  
24 VAC / 24VDC intermittent

### Stocked Product

- **Finishes:** Aluminum, Dark Bronze



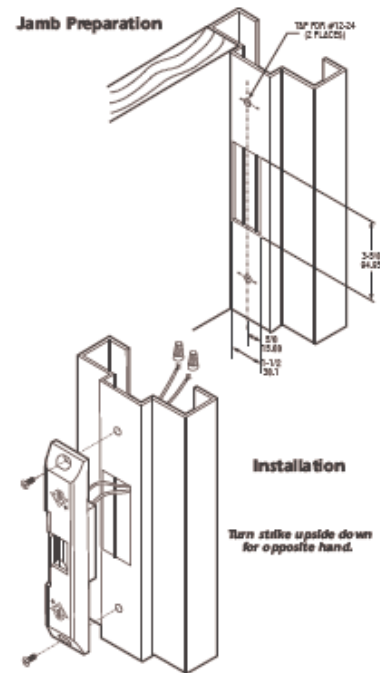
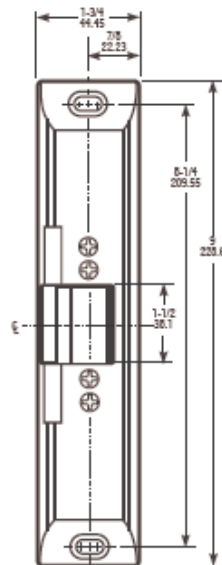
## 74R1 - Series

### FEATURES

- For use with Von Duprin, Monarch, Precision and Pullman latches
- **Lip Extension:** 1.06" from door line to jamb edge
- Faceplate measure 1-3/4" x 9-3/4"
- ANSI/BHMA E09321 Grade 1
- **Strike Opening:** 5/8" x 1-7/16" x 9/16" deep bolt retainer jaw is made of stainless steel.
- **Case:** Approximately 1" x 3-3/8" x 1-5/8" deep
- Fail secure operation
- **Voltage:** 24 VAC / 12 VDC intermittent  
24 VAC / 24 DC continuous

### Stocked Product

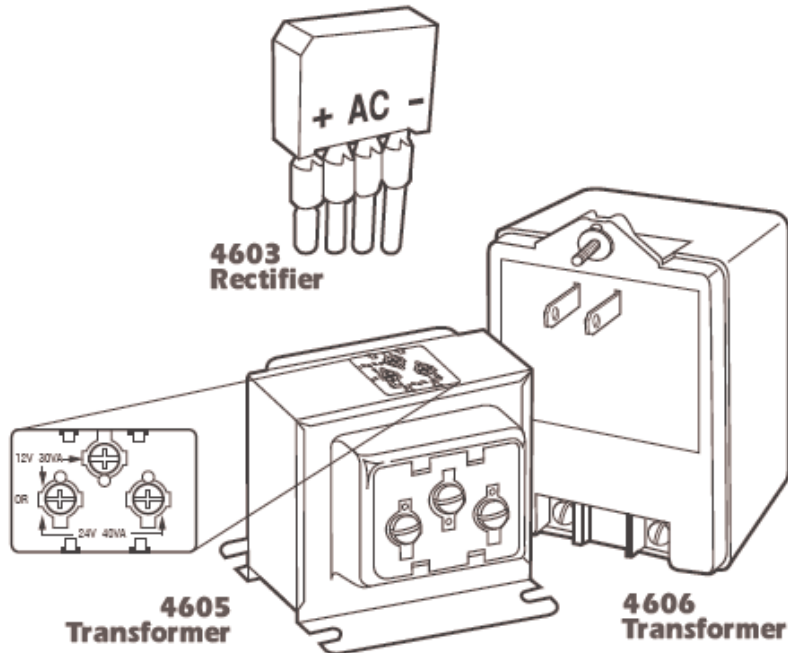
- **Finishes:** Aluminum, Dark Bronze



1-877-930-1192

# Adams Rite

## Accessories



### RECTIFIER

#### 4603 Rectifier

Converts low voltage AC current to DC of same voltage. Installs in low voltage line between transformer and strike. Full hyphen bridge type. Rated 2 amps. (200 PIV).

### AC Continuous

AC Continuous duty strikes are supplied with a 4603 Rectifier attached to the solenoid leads. These are silent operation strikes -- without the buzzing sound. They use a DC solenoid, but the externally attached full-wave bridge rectifier allows them to be connected to AC power.

### TRANSFORMER

#### 4605

Converts 120VAC to 12VAC/24VAC. Rated 40 Volt-amp output assures plenty of power for strike release.

#### 4606

Converts 120VAC current to 24VAC. Plugs into standard wall outlet.

1-877-930-1192

# Adams Rite - *Exit Devices*

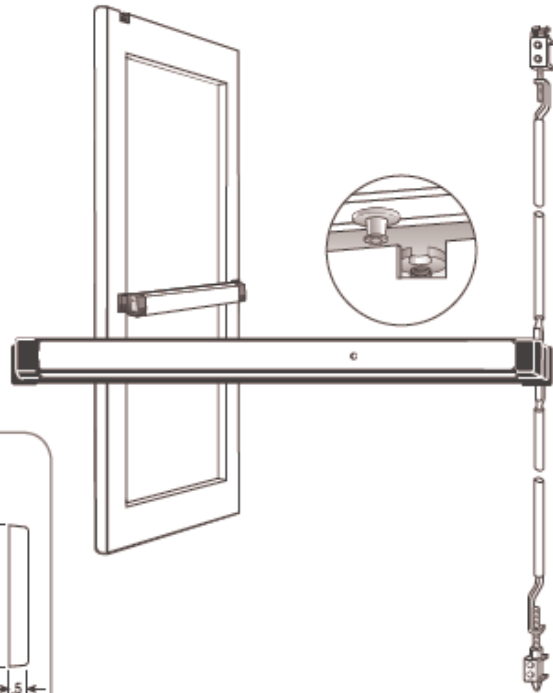
## 8600 - Series Narrow Stile Concealed Vertical Rod Device

### Dimensions & Specifications:

- ANSI/BHMA E09321 Grade 1
- **Handing:** Device is non-handed
- **Bar Height:** Adjustable from 30" to 44"
- **Projection:** 2-5/8" when fully projected  
1-5/8" when dogged
- **Stile Width:** 2" minimum
- **Door Height:** Adjustable for doors up to 66" above selected bar height

### Stocked Product

- **Sizes:** for 36" width door
- **Finishes:** Aluminum and Duro



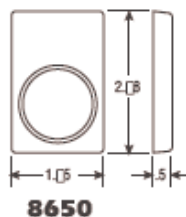
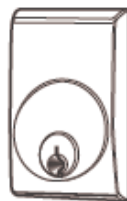
### Accessories Escutcheon

Required to mount any make standard Mortise cylinder, with MS cam, on outside of door.

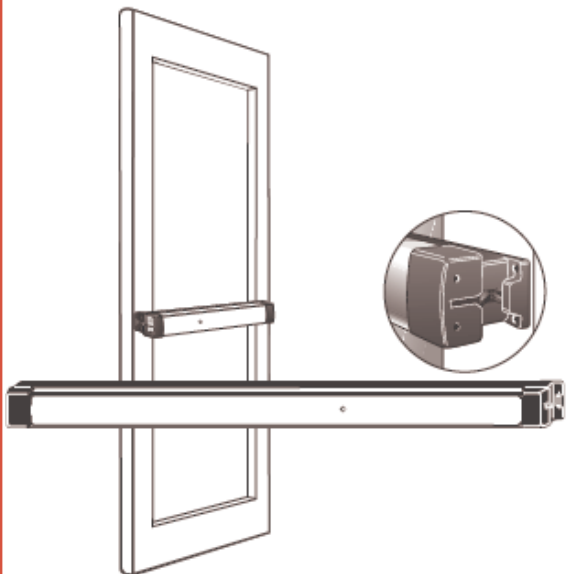
- **Less Mortise Cylinder**

### Stocked Product

- **Finish:** Aluminum



## 8800 - Series Rim Exit Device For Aluminum Doors



### Dimensions & Specifications:

- ANSI/BHMA E09321 Grade 1
- **Handing:** Device is non-handed
- **Door Thickness:** Suits 1-3/4" up to 2-1/4"
- **Stile Width:** 8800 - 2" for aluminum style

### Features:

- Patented "standard" bolt interlocks door to frame.
- Push bar is anodized or clad not plated.
- Unobstrusive design for clean sight lines.

### Stocked Product

- **Sizes:** for 36" width door
- **Finishes:** Aluminum and Duro

1-877-930-1192

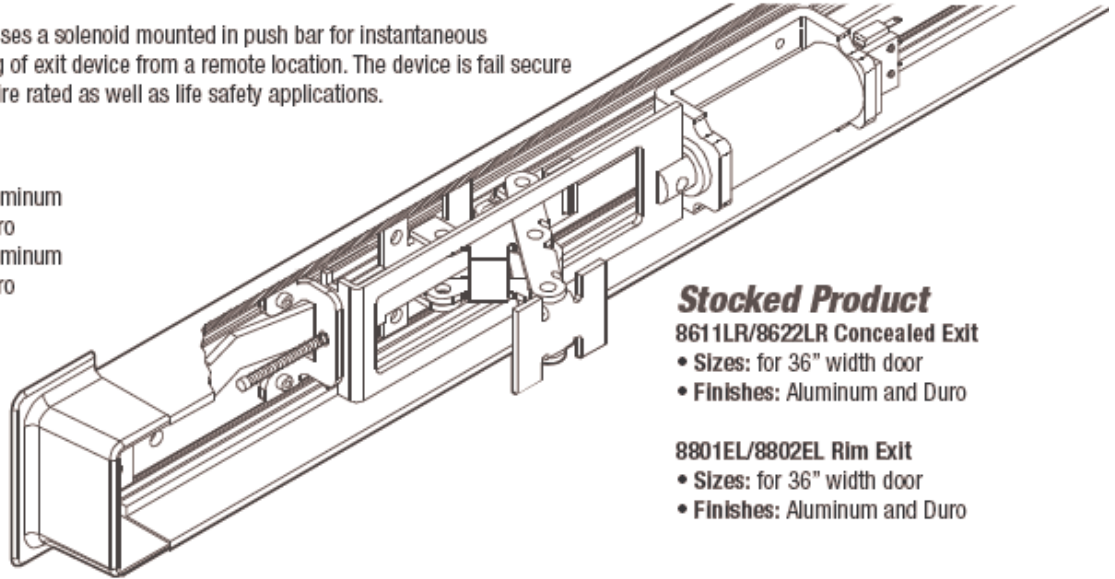
# Adams Rite - *Exit Devices*

## Electric Latch Retraction *For all Adams Rite Exit Device*

The EL or LR option uses a solenoid mounted in push bar for instantaneous unlocking and locking of exit device from a remote location. The device is fail secure and can be used on fire rated as well as life safety applications.

### *Note*

8611LR..... for Aluminum  
8622LR..... for Duro  
8801EL..... for Aluminum  
8802EL..... for Duro



### **Stocked Product**

**8611LR/8622LR Concealed Exit**

- Sizes: for 36" width door
- Finishes: Aluminum and Duro

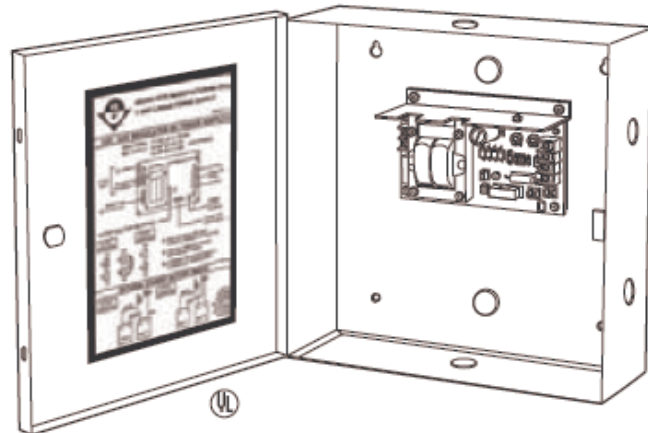
**8801EL/8802EL Rim Exit**

- Sizes: for 36" width door
- Finishes: Aluminum and Duro

Note: Power Supply available - F/8600 series, P/N PSLR

## PSLR Power Supply

This Adams Rite Power Supply is required for the Electric Latch Retraction option on the Vertical Rod and Mortise types of exit devices. It operates at 28 VDC to power up to two LR exit devices in sequential or independent modes. The PS-LR is also equipped with a fire alarm disconnect interface circuitry.



**1-877-930-1192**

# Adams Rite - Store Front Hardware

## 4569 Series Eurostyle Deadlatch Handles

### Escutcheons

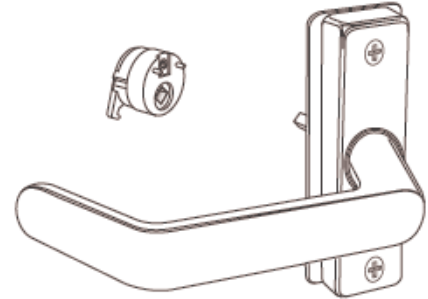
1-3/8" x 4", designed to match the narrow stile doors clean lines. Steel mounted base is secured by hidden screws and has two large helical compression springs. (One becomes a spare once handling is given.) A 1/4" square heat-treated spindle is part of escutcheon assembly, which interlocks with the cam plug. Finished to match lever.

### Function

Designed to operate 4500/4700/4900 Series latches by a natural downward hand movement. These handles incorporate an activator cam disc that mounts on the handle escutcheon and fits solidly into the cylinder hole of the latch. Not intended for use as a door pull.

### Levers

Lever of cast aluminum, in choice of 130 Satin Aluminum, 121 Dark Bronze or 119 Black. Modern European styling offers a generous hand grip with shank offset away from the narrow stile jamb for hand safety. 4569 has return end to meet anti-slag code requirements.



### Stocked Product

- LH and RH
- Finishes: Aluminum and Dark Bronze

## 4591 Series Deadlatch Paddle

### Paddle

Extruded aluminum, 628 Clear Anodized finish. 313 Dark Bronze Anodized and 335 Black Anodized also available. US3 Bright Brass, US26 Bright Chrome or US26D Satin Chrome plating also available.

### Function

An alternative to knob or lever handles. Makes opening a latched door as natural as opening an unlatched one just push or pull in the direction the door swings. Available for any Adams Rite Series 4500/4700/4900 deadlatch or MS+ 1890 lock/latch.

### Paddle Dogging ("Push" versions only)

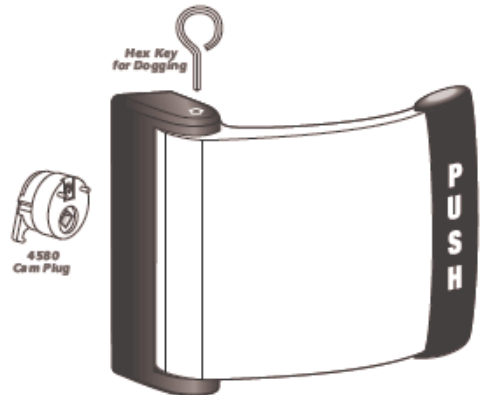
Turning hex key in escutcheon holds the paddle down, leaving door free-swinging. Dogging key provided.

### Escutcheon

Zinc alloy with Black Ritecoat finish. Houses steel operating mechanism. Secured to door stile with special binder posts that extend into the escutcheon to rigidly resist torque loads in any direction.

### Operation

Available in four modes: Push to left, Push to right, Pull to left and Pull to right. Can be reconfigured to any mode in the field. Dogging not to be installed in pull configuration.



### Stocked Product

- Finishes: Aluminum and Dark Bronze

1-877-930-1192

## MS4043 Series Cylinder Guard

### *Security Ring*

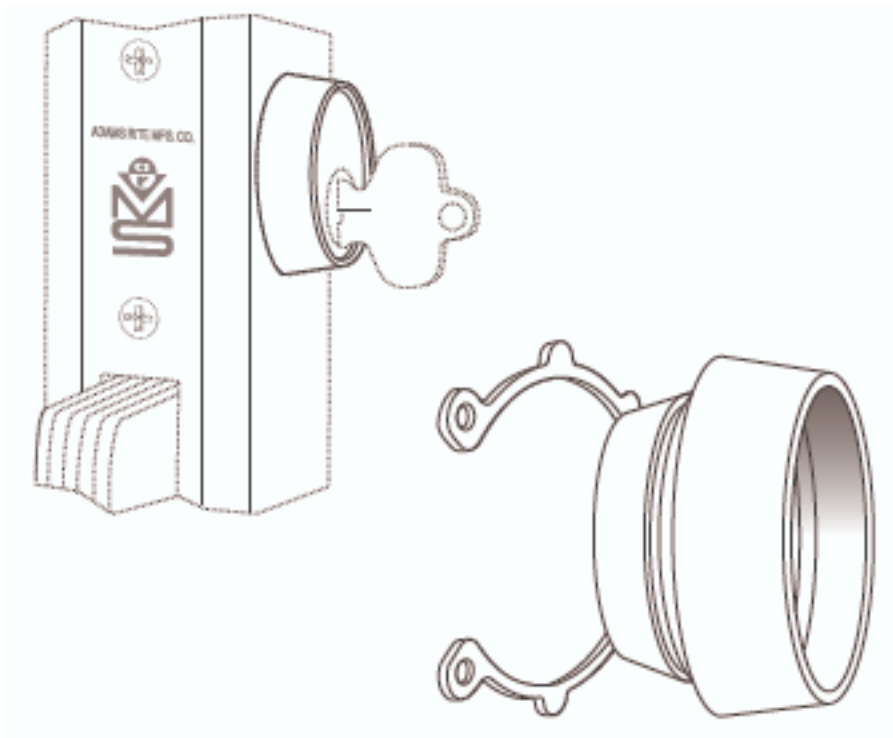
Made of hardened steel. Free-swiveling when properly installed.

### *Retainer Ring*

Hardened steel, plated for corrosion resistance. Permits security ring to swivel.

### **Stocked Product**

- **Finishes:** Aluminum and Dark Bronze



1-877-930-1192

