

ASI - Surface Mounted Sensor Hand Dryer

0185 - Series **Steel Cover with Porcelain Enamel Finish**

Overall Dimensions:

(Conforms to ADA)

10-3/4" (H) x 14-1/2" (W) x 4" (D)

(275mm x 370mm x 100mm)

Specifications

Voltage/Frequency: 100-240 - 50/60 Hz

Motor: 1/4 HP 7500 RPM - Brush Type

Volume of Air: 185 CFM - Temp: 149° F (65° C)

Cover: Porcelain - coated steel or cast iron

Thermal Protection: Auto - resetting device

Circuitry: Infrared automatic

Profile Model 0185 provides powerful warm air to dry hands in less than 25 seconds.



Stocked Product

• **Finish:** Porcelain

ASI - Commercial Washroom Accessories

0828 - Series **Waste Receptacle**

Fabricated of 22 gauge type 304 stainless steel with satin finish. Top and bottom hemmed for safety. 7 gallon.



Stocked Product

• **Finish:** Stainless Steel with Satin Finish

0852 - Series **Surface Mounted Sanitary Napkin Disposal**

Sloping cover has full length piano hinge. Size: 7-1/2" x 10" x 3-7/8"



Stocked Product

• **Finish:** Stainless Steel with Satin Finish

1-877-930-1192

ASI - Commercial Washroom Accessories

0030 - Series

Toilet Paper Dispenser

Surface Mounted Dual Roll Toilet Paper Dispenser.

Holds two rolls up to 5-1/4" diameter sheets. Top roll automatically drops in place when bottom roll is used up. Type 304 stainless steel mechanism.



Stocked Product

• **Finish:** Stainless Steel Cabinet

0210 / 0215 - Series

Paper Towel Dispensers

0210 dispenses 400 C-fold or 525 multi fold paper towels. Made of 22 gauge stainless steel with no. 4 satin finish overall size 11" x 14-1/2" x 4". 0215 dispenses 200 C-fold or 275 multi fold paper towels. Overall size 11" x 8" x 4".

Stocked Product

• **Finish:** Stainless Steel with Satin Finish



0332 - Series

All Purpose Soap Dispenser

Lavatory Mounted all Purpose Soap Dispenser

Corrosion resistant valve dispenses liquid soaps. Fills from top for ease of maintenance. Free turning valve is vandal resistant. Spout & stem are stainless steel. Adjustable threaded shank allows for installation in countertops up to 3-1/2" thick through 7/8" hole.



Stocked Product

• **Finish:** Spout & stem stainless steel

0345 - Series

Horizontal Soap Dispenser

Stainless steel with a satin finish contains all purpose soap valve and unbreakable refill window concealed fastening & hinged filler top.

Size: 8-1/2" x 4-3/4" x 5-1/4"
40 ounces



Stocked Product

• **Finish:** Stainless Steel with Satin Finish

0347 - Series

Vertical Soap Dispenser

Stainless steel with a satin finish contains all purpose soap valve and unbreakable refill window concealed fastening & hinged filler top.

Size: 4-3/4" x 8-1/2" x 5-1/4"
40 ounces



Stocked Product

• **Finish:** Stainless Steel with Satin Finish

1-877-930-1192

ASI - Commercial Washroom Accessories

Paper Towel Dispensers and Waste Receptacles

0462AD - Series



Dispenses 350 C fold or 475 multifold paper towels. Provided with removable 2 gallon waste container. Wall opening: 12-3/4" x 26-1/2" x 4-1/4"



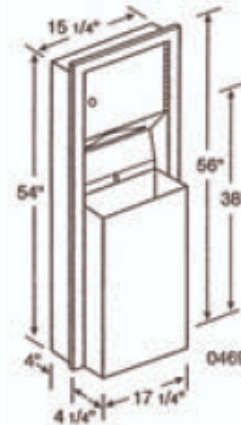
Stocked Product

- **Finish:** Stainless Steel
- **Optional Surface Mounting Collar - Part# 7462ADMS**

0469 - Series



Dispenses 600 C fold or 800 multifold paper towels. Removable 12 gallon stainless steel receptacle is locked into cabinet. Wall opening: 15-3/4" x 54-1/2" x 4-1/4"



Stocked Product

- **Finish:** Stainless Steel with Satin Finish

0535 - Series

Tilt Mirror



Offers visibility for wheel chair individuals. Fabricated of 20 gauge stainless steel with satin finish. Mirror is tapered 4" at top to 1" at bottom.

Stocked Product

- **Finish:** Stainless Steel with Satin Finish
- **Size:** 18"x30"

0477SM - Series

Surface Mounted Toilet

Surface mounted dispenser holds 250 single or half fold seat covers. size: 15-3/4" x 11" x 1-7/8"



Stocked Product

- **Finish:** Stainless Steel with Satin Finish

1-877-930-1192

ASI - Commercial Washroom Accessories

0620 - Series

Channel Frame Mirror

20 gauge type 304 satin finish with stainless steel channel. One piece roll formed construction that encases mirror and backing revealing a tightly mitered corner. Mirror is installed on two wall brackets & secured by theft resistant screw.



Stocked Product

- **Finish:** Stainless Steel with Satin Finish
- **Sizes:** 18"x30", 24"x36"

0710 - 1 Dispenser

0715 - 2 Dispensers

Vandal Resistant

Toilet Paper Holder



Provided with locking device and mechanism to control delivery. High polished finish.

Stocked Product

- **Finish:** Polished Chrome
- **0715 size:** 12-3/8" x 2-3/4" x 4-1/4"
- **0710 size:** 6" x 2-3/4" x 4-1/4"

7305 - Series

Surface Mounted Single Toilet Paper Holder Stainless Steel



7305-2 - Series

Surface Mounted Double Toilet Paper Holder Stainless Steel



Type 304 stainless steel. Heavy gauge concealed bracket mounts on wall secured by means of stainless steel set screws. Holds 1800 sheet standard roll.

Stocked Product

- **Finish:** Bright, Satin, Stainless Steel

1-877-930-1192

ASI - Commercial Washroom Accessories

3700 - Series

Stainless Steel Grab Bars

Features and Specifications

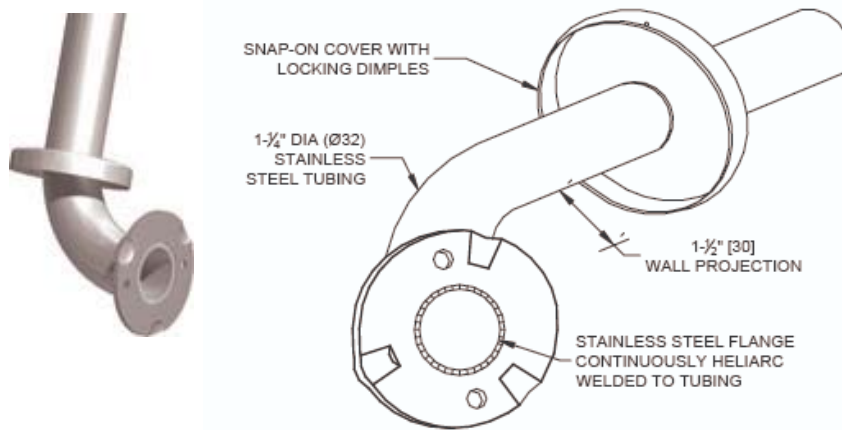
- 1-1/4" O.D. Steel tubing
- Snap on cover with locking dimples
- Grab bar with snap on flange covers for concealed mounting
- Fasteners and washers not supplied

Options

- 3901 pan head screw pack (2)

Stocked Product

- **Finish:** Satin
- **Sizes:** 18", 36", 42", 48"



3901 - Series Screw Pack



(2) # 12 X 2-1/2" LONG
SELF TAPPING PAN PHILLIPS
HEAD SHEET METAL SCREWS

- Pan head metal screws 2-1/4" long

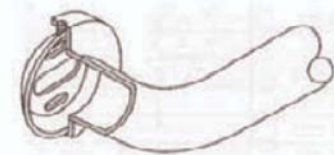
3100 - Series

Stainless Steel Grab Bars

Grab bars are satin finish 18 gauge type 304 stainless steel tubing with 1-1/2" clearance from wall and support loads of 900lbs. When properly installed complies with ADA guideline.

Concealed mounting: 1-1/4" O.D.

- Flange is 3" diameter 11 gauge type 304 stainless steel with satin finish.
- Tenon plate is 13 gauge with slotted screw holes.
- Flange is secured to concealed tenon plate with stainless steel allen head screws included.
- Mounting screws not included.



Stocked Product

- **Finishes:** Satin
- **Sizes:** 36", 42", 48" length

1-877-930-1192